



8,000 Gallon Tank Car

20-9600
20-9601
20-96002
20-96003
20-96004
20-96005
20-96015
20-96018
20-96022



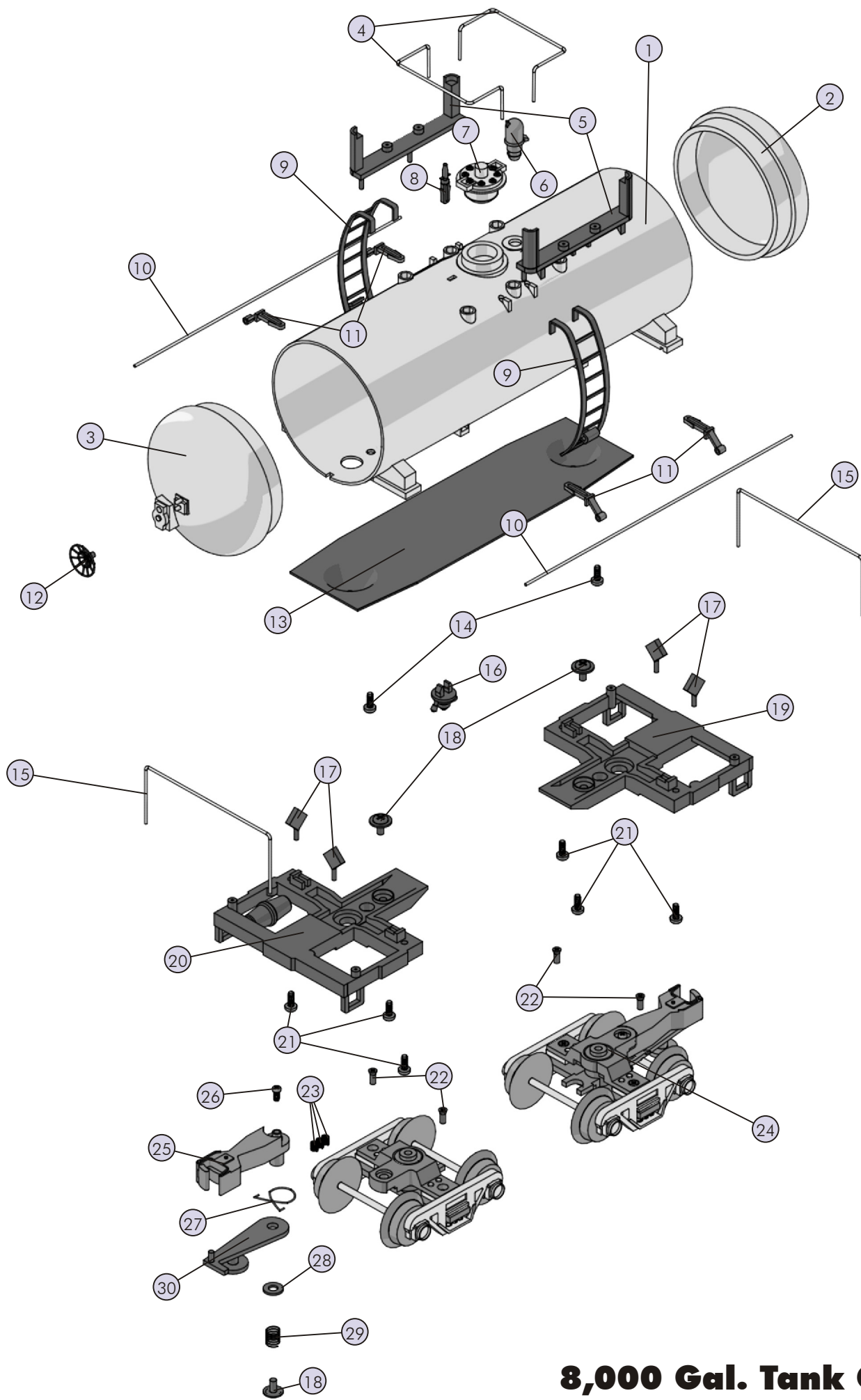
8,000 Gal. Tank Car

Car Parts

Name and Number	Part #	\$Price Per Unit	Name and Number	Part #	\$Price Per Unit
1.) Shell (black) (NS)(# 67845)	HE-4100001	*15.00	4.) Handrail (stainless steel) (for top platform)	HE-4100109	1.00
1.) Shell (blue) (Conrail)(#CR2315)	HE-4100002	*15.00	5.) Platform (black) (w/ stanchions)(plastic)	HE-4100026	3.00
1.) Shell (yellow, blue, white) (Vulcan)(# VMCX 1203)	HE-4100003	*15.00	6.) Vent (large)(black)	HE-4100027	1.00
1.) Shell (gray) (CSX)(# 63826)	HE-4100004	*15.00	7.) Hatch (black)	HE-4100028	2.00
1.) Shell (white) (National)(# UTLX 76910)	HE-4100005	*15.00	8.) Vent (small)(black)	HE-4100029	1.00
1.) Shell (gray & green) (Ethyl)(# EBAX 6039)	HE-4100006	*15.00	9.) Ladder (black) (metal)(57.6mm long)	HE-4100030	3.00
1.) Shell (white & black) (Geigy)(#GATX 88383)	HE-4100007	*15.00	10.) Handrail (nickel) (136.0mm long)	HE-4100031	1.00
1.) Shell (orange & black) (Klasen Oil Company)(# CB 16142)	HE-4100008	*15.00	10.) Handrail (stainless steel) (136.0mm long)	HE-4100110	1.00
1.) Shell (silver) (ATSF)(#96237)	HE-4100101	*15.00	11.) Stanchion (black) (22.3mm long)	HE-4100032	1.00
1.) Shell (silver) (ATSF)(#96242)	HE-4100106	*15.00	12.) Brake wheel (black)	HE-4100033	1.00
2.) End cap (black) (NS)(# 67845)(w/ out brake wheel mount)	HE-4100009	5.00	13.) Weight (black) (39.0x138.0mm long)(stamped metal)	HE-4100034	4.00
2.) End cap (blue) (Conrail)(#CR2315)(w/ out brake wheel mount)	HE-4100010	5.00	14.) Screw (M2.5x8.0mm)(roundhead)	IA-0000184	0.15
2.) End cap (blue & yellow) (Vulcan)(# VMCX 1203)(w/ out brake wheel mount)	HE-4100011	5.00	15.) Handrail (nickel) (end platform handrail)	HE-4100035	1.00
2.) End cap (gray) (CSX)(# 63826)(w/ out brake wheel mount)	HE-4100012	5.00	15.) Handrail (stainless steel) (end platform handrail)	HE-4100111	1.00
2.) End cap (white) (National)(# UTLX 76910)(w/ out brake wheel mount)	HE-4100013	5.00	16.) Retaining valve (black) (bottom of tank car)(plastic)	HE-4100036	2.00
2.) End cap (gray) (Ethyl)(# EBAX 6039)(w/ out brake wheel mount)	HE-4100014	5.00	17.) Placard (black)(plain)	HE-4100037	1.00
2.) End cap (white) (Geigy)(#GATX 88383)(w/ out brake wheel mount)	HE-4100015	5.00	17.) Placard (black and red) (red flammable sign stamped on one side)	HE-4100038	1.00
2.) End cap (black) (Klasen Oil Company)(# CB 16142) (w/ out brake wheel mount)	HE-4100016	5.00	18.) Screw (M3x5.0mm)(w/ 8.0mm washer head)	IA-0000268	0.15
2.) End cap (silver) (ATSF)(#96237)(w/ out brake wheel mount)	HE-4100102	5.00	19.) Platform (black) (w/ out compressor)(plastic)	HE-4100039	6.00
2.) End cap (silver) (ATSF)(#96242)(w/ out brake wheel mount)	HE-4100107	5.00	19.) Platform (silver) (w/ out compressor)(plastic)	HE-4100104	6.00
3.) End cap (black) (NS)(# 67845)(w/ brake wheel mount)	HE-4100017	5.00	20.) Platform (black) (w/ compressor)(plastic)	HE-4100040	6.00
3.) End cap (blue) (Conrail)(#CR2315)(w/ brake wheel mount)	HE-4100018	5.00	20.) Platform (silver) (w/ compressor)(plastic)	HE-4100105	6.00
3.) End cap (blue & yellow) (Vulcan)(# VMCX 1203)(w/ brake wheel mount)	HE-4100019	5.00	21.) Screw (M2.6x8.0mm)(roundhead)(plastic cutting threads)	IA-0000272	0.15
3.) End cap (gray) (CSX)(# 63826)(w/ brake wheel mount)	HE-4100020	5.00	22.) Screw (M2.5x6.0mm)(flathead)	IA-0000178	0.15
3.) End cap (white) (National)(# UTLX 76910)(w/ brake wheel mount)	HE-4100021	5.00	23.) Spring (nickel) (truck side springs)(2.5x5.0x0.2mm)	IE-0000033	0.25
3.) End cap (gray) (Ethyl)(# EBAX 6039)(w/ brake wheel mount)	HE-4100022	5.00	24.) Truck (black) (2 axle)(black truck sides)(w/ truck side springs)	DA-0100006	6.00
3.) End cap (white) (Geigy)(#GATX 88383)(w/ brake wheel mount)	HE-4100023	5.00	24.) Truck (black) (2 axle)(silver truck sides)(w/ truck side springs)	DA-0100007	6.00
3.) End cap (black) (Klasen Oil Company)(# CB 16142) (w/ brake wheel mount)	HE-4100024	5.00	25.) Coupler (41.5mm long)(mechanical)	DD-0000015	3.00
3.) End cap (silver) (ATSF)(# 96237)(w/ brake wheel mount)	HE-4100103	5.00	26.) Screw (M2x4.0mm)(washer head)	IA-0000080	0.15
3.) End cap (silver) (ATSF)(# 96242)(w/ brake wheel mount)	HE-4100108	5.00	27.) Spring (centering)	IE-0000036	0.50
4.) Handrail (nickel)	HE-4100025	1.00	28.) Insulator washer (clear) (5.0x10.0x0.3mm)	ID-0000065	0.15
			29.) Spring (6.0x8.0mm)(w/ 0.4mm thick wire)	IE-0000035	0.50
			30.) Armature (36.3mm long)(w/ new armature pin)	DD-0000014	1.00

*Requires Exchange
All parts are priced as each





8,000 Gal. Tank Car

