



# Zephyr Set

30-2186-1

30-2186-0



# Zephyr Engine

## Parts

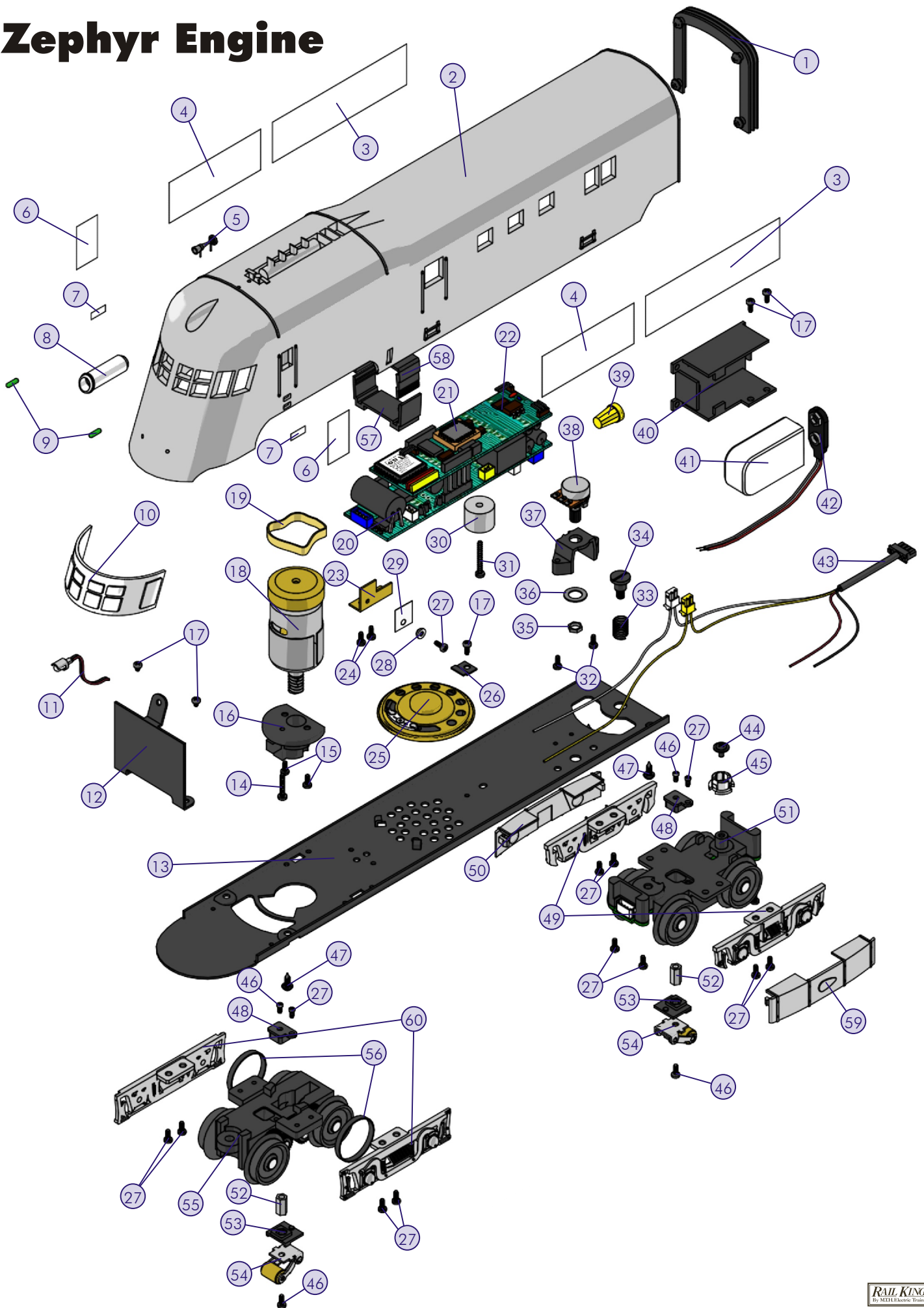
Name and Number	Part #	\$Price Per Unit	Name and Number	Part #	\$Price Per Unit
1.) Diaphragm (short)( for 0-31)	FI-0000028	3.00	39.) Wire nut ( yellow )	BI-4500003	0.25
1.) Diaphragm (long)( for 0-72 )	FI-0000029	3.00	40.) Bracket ( battery )	IH-0000116	3.00
2.) Shell ( Burlington )( silver )	FC-2200172	*85.00	41.) Battery	BG-4000001	9.95
3.) Lens ( frosted ) ( 26.0X95.0mm )	FA-0000037	1.00	42.) Battery leads ( 145.0mm long wires )	BC-0000003	3.00
4.) Lens ( frosted ) ( 26.0X65.0mm )	FA-0000038	1.00	43.) Wire harness	BC-0000045	8.00
5.) Air horn ( silver )	FC-2200173	5.00	44.) Screw ( 6/32X6.0mm )( washer head )	IA-0000214	0.15
6.) Lens ( frosted ) ( 26.0X18.0mm )	FA-0000039	1.00	45.) Clip ( plastic ) ( truck mounting )( male )	IF-0000010	1.00
7.) Number board ( #9900 )( sticker )	FG-2200023	0.50	46.) Screw ( M3X6.0mm )( roundhead )( nickel )	IA-0000015	0.15
8.) Lens ( headlight )( clear )	FA-0000040	2.00	47.) Screw ( M3X16.0mm )( washer head )( self-drilling )	IA-0000025	0.15
9.) Lens ( marker )( green )	FA-0000041	0.50	48.) Insulator ( pick-up )( top )	BD-0000026	2.00
10.) Window lens ( windshield )	FA-0000042	6.00	49.) Truck side ( silver ) ( 2 leaf springs )	DB-2200009	7.00
11.) Bulb (18V)( grain of wheat ) ( bulb base has overhang )( w/ 205.0mm long wires )	CA-0000024	2.00	50.) Truck side cover ( silver ) ( right )	FC-2210014	4.00
12.) Bracket ( for headlight )	IH-0000128	4.00	51.) Articulated truck ( black )	DA-0000011	*30.00
13.) Chassis ( black )	DH-2200039	*15.00	52.) Nut ( 2.5X5.0X7.0mm )	IC-0000008	0.50
14.) Screw ( M3X14.0mm )( roundhead )( w/ lock washer )	IA-0000012	0.15	53.) Insulator (pick-up)(bottom)	BD-0000006	2.00
15.) Screw ( M2.5X6.0mm ) ( roundhead )( w/ lock washer )( yellow Zink )	IA-0000089	0.15	54.) Pick-up ( 8.0X11.0mm roller )( 19.5mm long )	BD-0000042	5.00
16.) Motor mount	BI-0000043	15.00	55.) Truck ( 2 axle )( powered )	DA-0000012	*30.00
17.) Screw ( M3X3.0mm )( roundhead )	IA-0000296	0.15	56.) Traction tire	DE-0000014	0.75
18.) Motor ( RS-365SH ) (8.0X20.0mm long worm gear)(14.0mm long threads) ( 9.3X30.0mm flywheel )( black flywheel )	BE-0000054	25.00	57.) Clip ( Proto-Sound® board )( bottom )( plastic )	IF-0000007	1.00
19.) Rubber band	BI-4500004	0.50	58.) Clip ( Proto-Sound® board )( top )( plastic )	IF-0000006	1.00
20.) Proto-Sound® board ( bottom )	AD-4500001	*60.00	59.) Truck side cover ( silver ) ( left )	FC-2220014	4.00
21.) Proto-Sound® chip	N/A	19.95	60.) Truck side ( silver ) ( 6 leaf springs )	DB-2200010	7.00
22.) Proto-Sound® board ( top )	AE-4500001	*100.00			
23.) Bracket ( Proto-Sound® board )	IH-0000072	2.00			
24.) Screw ( 4/40X4.0mm )( roundhead )	IA-0000021	0.15			
25.) Speaker ( Unison 5008BC3 )	BF-4500010	8.95			
26.) Bracket ( speaker )	IH-0000129	1.00			
27.) Screw ( 4/40X6.0mm )( roundhead )	IA-0000003	0.15			
28.) Insulator washer	ID-0000025	0.15			
29.) Insulator	ID-0000024	0.15			
30.) Heat sink ( 3.0X20.0X10.0mm )	AI-4500010	2.00			
31.) Screw ( 4/40X30.0mm )( roundhead )	IA-0000191	0.15			
32.) Screw ( M3X8.0mm )( roundhead )( self-drilling )	IA-0000072	0.15			
33.) Spring ( 8.0X6.0mm )( w/ 0.7mm thick wire )	IE-0000029	0.50			
34.) Bolt ( 8/32X15.0mm ) ( slotted head )( 6.0X8.0mm oversized shank )	IA-0000088	1.00			
35.) Nut ( 6.0X10.0X2.0mm )	IC-0000007	0.15			
36.) Washer ( 7.0X12.0X0.5mm )	ID-0000034	0.15			
37.) Bracket ( volume pot )	IH-0000023	2.00			
38.) Volume pot ( 100.0mm long wires )	BI-0000044	5.00			

### Horn Only Parts

Name and Number	Part #	\$Price Per Unit
20.) Board ( DCRU )	AC-0000006	39.95
22.) Board ( horn )	AF-4500004	29.95
23.) Bracket ( for DCRU )	IH-0000119	2.00
24.) Screw ( M3X3.0mm )( roundhead )	IA-0000296	0.15
30.) Heat sink ( 3.0X20.0X5.0mm )	AI-4500007	2.00
31.) Screw ( 4/40X20.0mm )( roundhead )	IA-0000112	0.15
43.) Wire harness	BC-0000046	8.00
NS.) Switch ( small )	BB-0000009	5.00
NS.) Screw ( M2X4.0mm )( roundhead )	IA-0000058	0.15

\*Requires Exchange

# Zephyr Engine



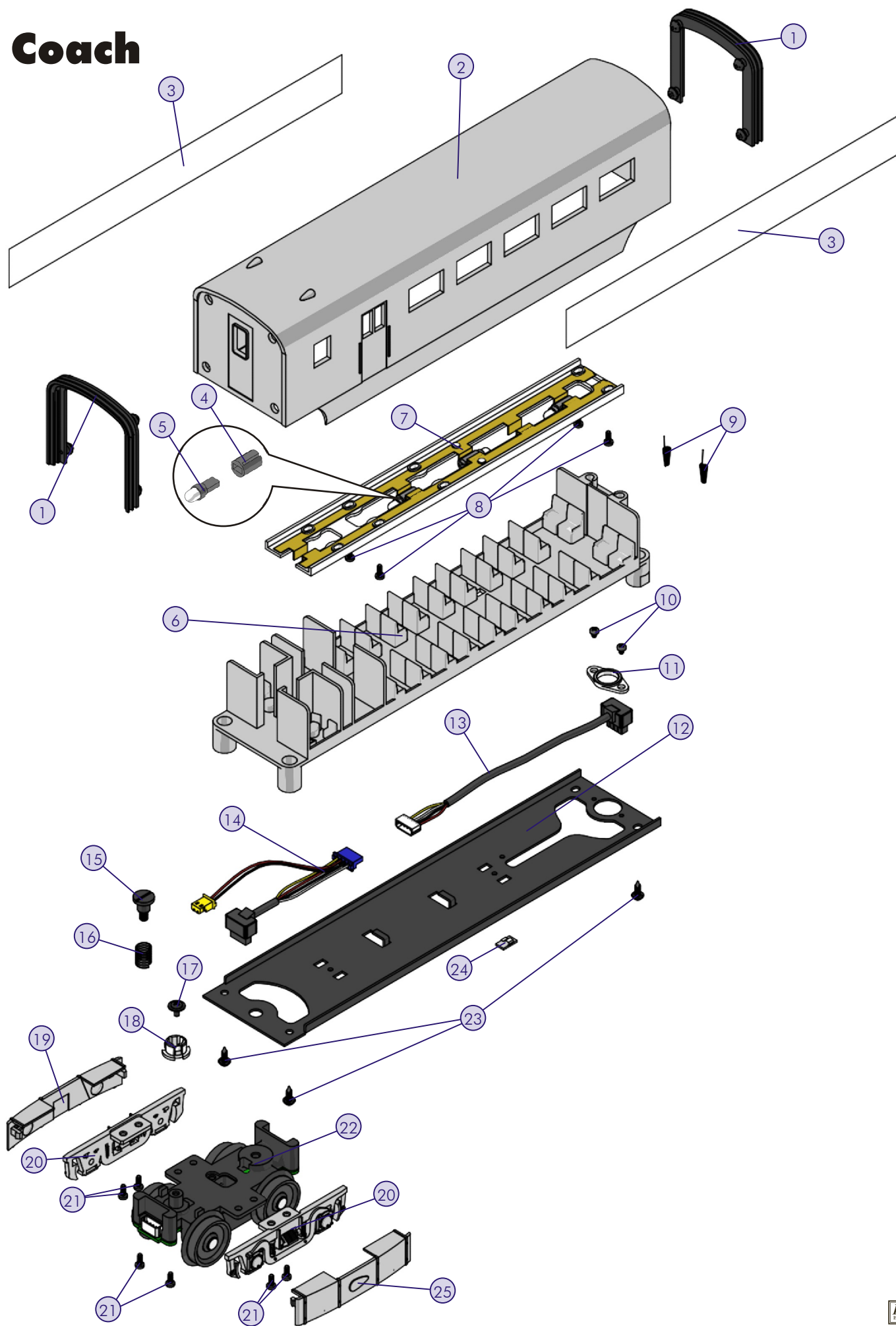
# Coach

## Parts

Name and Number	Part #	\$Price Per Unit
1.) Diaphragm (short)( for 0-31 )	FI-0000028	3.00
1.) Diaphragm (long)( for 0-72 )	FI-0000029	3.00
2.) Shell ( silver )	FC-2200175	*65.00
3.) Lens ( clear ) ( 26.0X220.0mm )	FA-0000043	1.00
4.) Socket	CH-0000018	1.00
5.) Bulb ( w/ base )( gray ) ( base has a overhang over the bulb )	CG-0000018	1.00
6.) Interior detail ( gray )	FC-2200176	*15.00
7.) Bulb guide ( 30.0X208.0mm )	CH-0000032	8.00
8.) Screw ( M3X6.0mm )( flathead )( plastic cutting threads )	IA-0000261	0.15
9.) Contact spring	IE-0000050	0.50
10.) Screw ( M3X3.0mm )( roundhead )	IA-0000296	0.15
11.) Clip ( truck mounting )( female )	IF-0000011	2.00
12.) Chassis ( black )	DH-2200040	*15.00
13.) Wire harness ( 150.0mm long )( w/ 4 pin female plug )	BC-0000047	8.00
14.) Wire harness ( 60.0mm w/ 2 pin male plug ) ( 200.0mm long )( w/ 4 pin male plug )	BC-0000048	8.00
15.) Bolt ( 8/32X15.0mm ) ( slotted head )( 6.0X8.0mm oversized shank )	IA-0000088	1.00
16.) Spring ( 8.0X6.0mm )( w/ 0.7mm thick wire )	IE-0000029	0.50
17.) Screw ( 6/32X6.0mm )( washer head )	IA-0000214	0.15
18.) Clip ( plastic ) ( truck mounting )( male )	IF-0000010	1.00
19.) Truck side cover ( silver ) ( right )	FC-2210014	4.00
20.) Truck side ( silver ) ( 2 leaf springs )	DB-2200009	7.00
21.) Screw ( 4/40X6.0mm )( roundhead )	IA-0000003	0.15
22.) Articulated truck ( black )	DA-0000011	*30.00
23.) Screw ( M3X16.0mm )( washer head )( self-drilling )	IA-0000025	0.15
24.) Wire strap ( metal )	IH-0000103	1.00
25.) Truck side cover ( silver ) ( left )	FC-2220014	4.00

\*Requires Exchange

# Coach



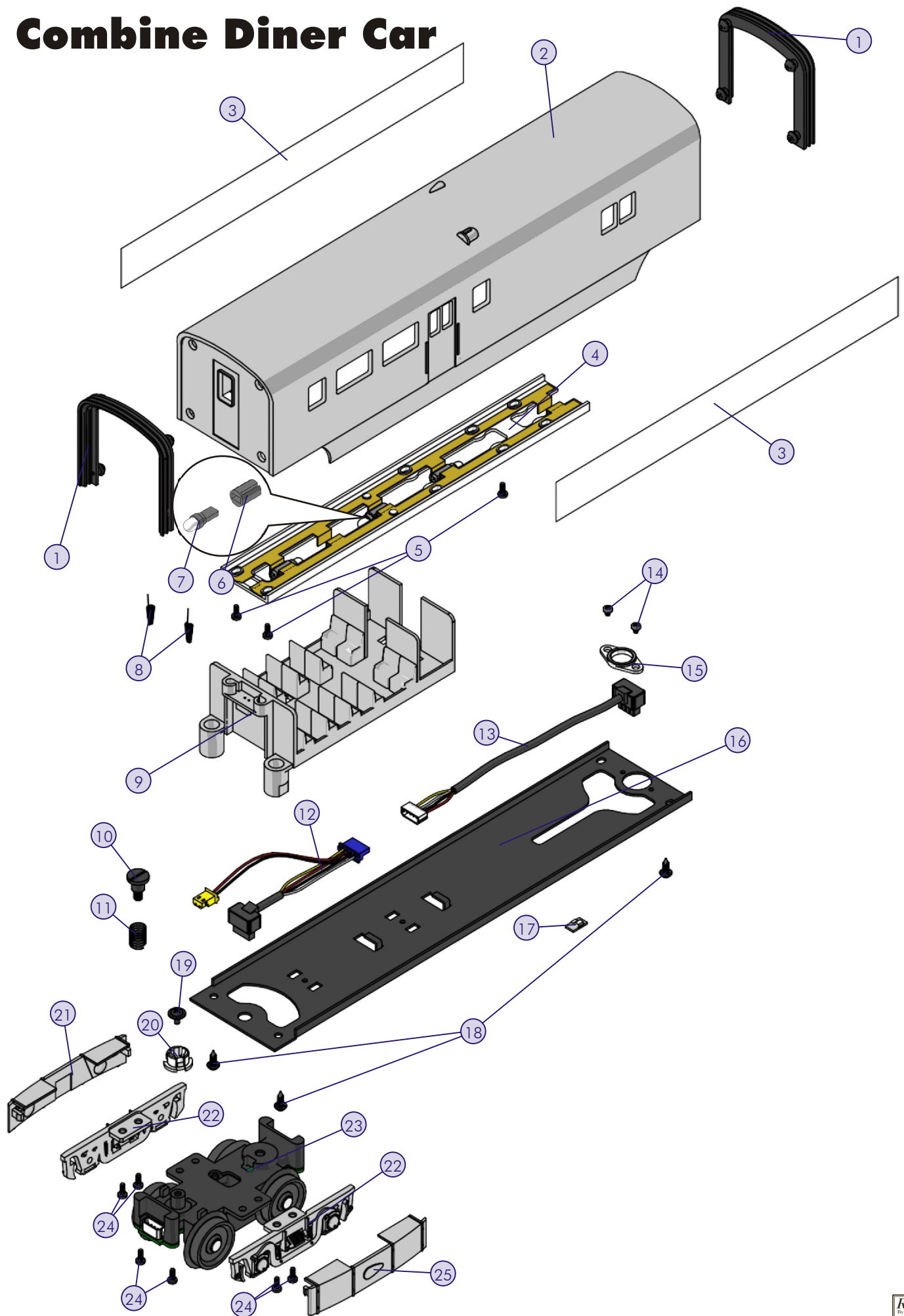
# Combine Diner Car

## Parts

Name and Number	Part #	\$Price Per Unit
1.) Diaphragm (short)( for 0-31 )	FI-0000028	3.00
1.) Diaphragm (long)( for 0-72 )	FI-0000029	3.00
2.) Shell ( silver ) ( Railway Express Agency )	FC-2200177	*65.00
3.) Lens ( clear ) ( 26.0X220.0mm )	FA-0000043	1.00
4.) Bulb guide ( 30.0X208.0mm )	CH-0000032	8.00
5.) Screw ( M3X6.0mm )( flathead )( plastic cutting threads )	IA-0000261	0.15
6.) Socket	CH-0000018	1.00
7.) Bulb ( w/ base )( gray ) ( base has a overhang over the bulb )	CG-0000018	1.00
8.) Contact spring	IE-0000050	0.50
9.) Interior detail ( gray )	FC-2200178	*15.00
10.) Bolt ( 8/32X15.0mm ) ( slotted head )( 6.0X8.0mm oversized shank )	IA-0000088	1.00
11.) Spring ( 8.0X6.0mm )( w/ 0.7mm thick wire )	IE-0000029	0.50
12.) Wire harness ( 60.0mm w/ 2 pin male plug ) ( 130.0mm long )( w/ 4 pin male plug )	BC-0000049	8.00
13.) Wire harness ( 170.0mm long )( w/ 4 pin female plug )	BC-0000050	8.00
14.) Screw ( M3X3.0mm )( roundhead )	IA-0000296	0.15
15.) Clip ( truck mounting )( female )	IF-0000011	2.00
16.) Chassis ( black )	DH-2200041	*15.00
17.) Wire strap ( metal )	IH-0000103	1.00
18.) Screw ( M3X16.0mm )( washer head )( self-drilling )	IA-0000025	0.15
19.) Screw ( 6/32X6.0mm )( washer head )	IA-0000214	0.15
20.) Clip ( plastic ) ( truck mounting )( male )	IF-0000010	1.00
21.) Truck side cover ( silver ) ( right )	FC-2210014	4.00
22.) Truck side ( silver ) ( 2 leaf springs )	DB-2200009	7.00
23.) Articulated truck ( black )	DA-0000011	*30.00
24.) Screw ( 4/40X6.0mm )( roundhead )	IA-0000003	0.15
25.) Truck side cover ( silver ) ( left )	FC-2220014	4.00

\*Requires Exchange

# Combine Diner Car



# Observation Car

## Parts

Name and Number	Part #	\$Price Per Unit
1.) Lens ( back-up )	FA-0000044	2.00
2.) Window lens	FA-0000045	6.00
3.) Marker lens ( red )	FA-0000046	0.50
4.) Marker lens housing ( left )	FC-2220013	5.00
5.) Marker lens housing ( right )	FC-2210013	5.00
6.) Shell ( silver ) ( Burlington-Zephyr )( # 9900)	FC-2200179	*65.00
7.) Lens ( frosted ) ( 27.0X33.0mm )	FA-0000047	0.50
8.) Lens ( clear ) ( 26.0X190.0mm long )	FA-0000048	1.00
9.) Diaphragm (short)( for 0-31 )	FI-0000028	3.00
9.) Diaphragm (long)( for 0-72 )	FI-0000029	3.00
10.) Socket	CH-0000018	1.00
11.) Bulb ( w/ base )( gray ) ( base has a overhang over the bulb )	CG-0000018	1.00
12.) Bulb guide ( 30.0X208.0mm )	CH-0000032	8.00
13.) Screw ( M3X6.0mm )( flathead )( plastic cutting threads )	IA-0000261	0.15
14.) Contact spring	IE-0000050	0.50
15.) Wire harness ( 200.0mm long )( w/ 2 pin male plug )	BC-0000051	2.00
16.) Interior detail ( gray )	FC-2200180	*15.00
17.) Wire harness ( 240.0mm long yellow & white wires ) ( 170.0mm long red & black wires )	BC-0000052	8.00
18.) Clip ( truck mounting )( female )	IF-0000011	2.00
19.) Screw ( M3X3.0mm )( roundhead )	IA-0000296	0.15
20.) Chassis ( black )	DH-2200042	*15.00
21.) Wire nut ( yellow )	BI-4500003	0.25
22.) Bracket ( light )	IH-0000130	2.00
23.) Screw ( M2.5X4.0mm )( roundhead )( plastic cutting threads )	IA-0000270	0.15
24.) Bulb (18V)( grain of wheat ) ( bulb base has overhang )( w/ 205.0mm long wires )	CA-0000024	2.00
25.) Rubber band	BI-4500004	0.50
26.) Motor ( RS-365SH ) (8.0X20.0mm long worm gear)(14.0mm long threads) ( 9.3X30.0mm flywheel )( brass flywheel )	BE-0000055	25.00
27.) Motor mount	BI-0000043	15.00
28.) Screw ( M3X14.0mm )( roundhead )( w/ lock washer )	IA-0000012	0.15
29.) Screw ( M2.5X6.0mm ) ( roundhead )( w/ lock washer )( yellow Zink )	IA-0000089	0.15
30.) Coupler skirt ( silver )	FC-2200181	8.00
31.) Screw ( M3X16.0mm )( washer head )( self-drilling )	IA-0000025	0.15
32.) Screw ( 4/40X6.0mm )( roundhead )	IA-0000003	0.15
33.) Screw ( M3X6.0mm )( roundhead )( nickel )	IA-0000015	0.15
34.) Insulator ( pick-up )( top )	BD-0000026	2.00
35.) Truck side ( silver ) ( 2 leaf springs )	DB-2200009	7.00
36.) Truck ( 2 axle )( powered )	DA-0000012	*30.00
37.) Truck side cover ( silver ) ( right )	FC-2210014	4.00

## Parts

Name and Number	Part #	\$Price Per Unit
38.) Insulator (pick-up)(bottom)	BD-0000006	2.00
39.) Pick-up ( 8.0X11.0mm roller )( 19.5mm long )	BD-0000042	5.00
40.) Nut ( 2.5X5.0X7.0mm )	IC-0000008	0.50
41.) Traction tire	DE-0000014	0.75
42.) Truck side cover ( silver ) ( left )	FC-2220014	4.00

\*Requires Exchange

# Observation Car

