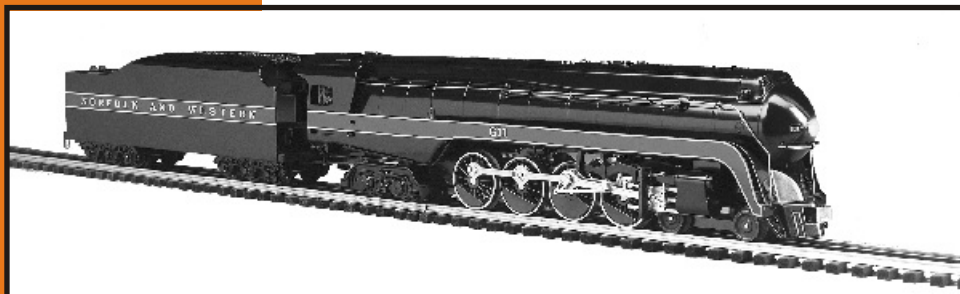


RAILKING[®]
By M.T.H. Electric Trains

30-1105-0

J

4-8-4



J Steam Engine & Tender

Engine Parts

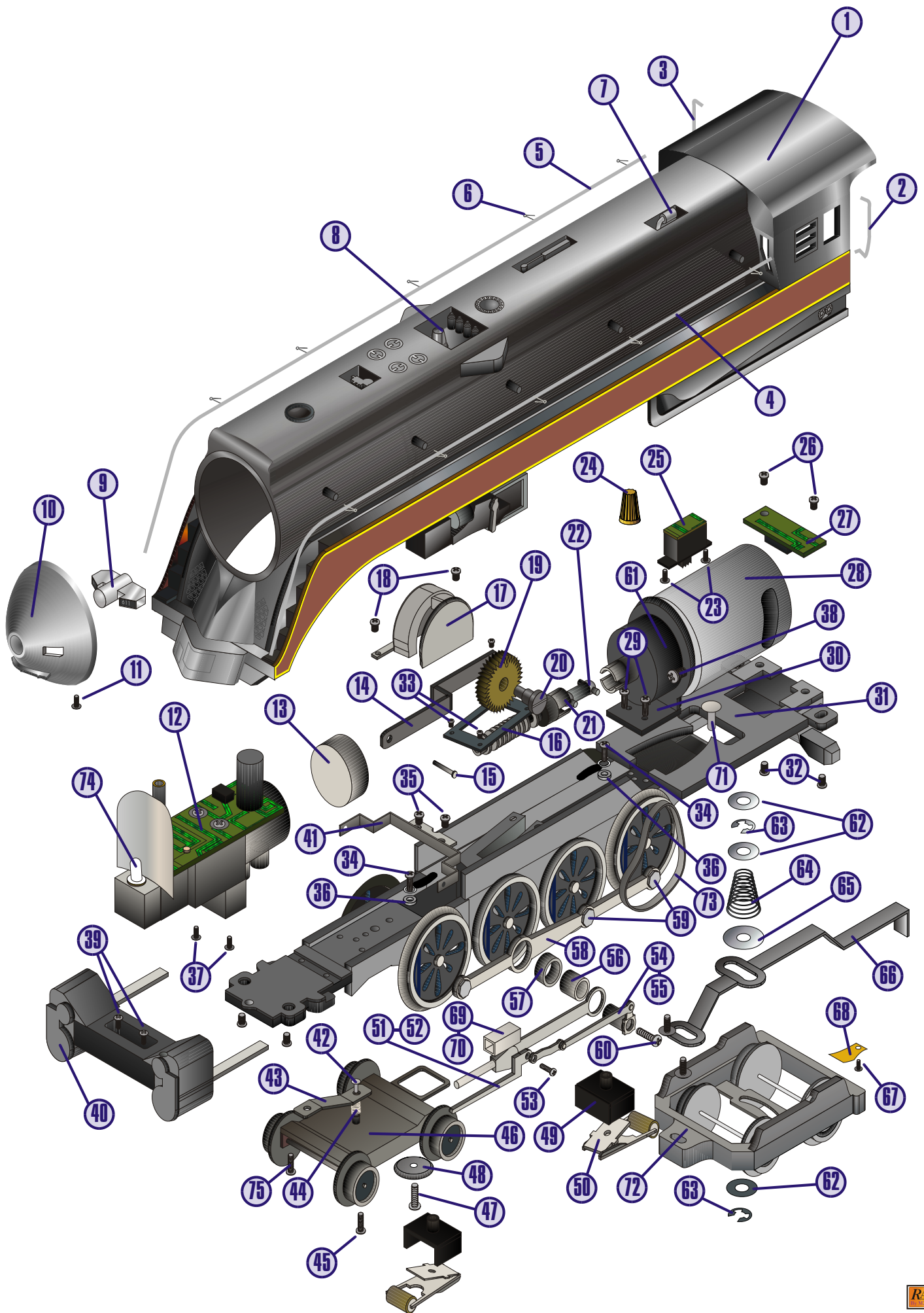
Name	Part #	\$Price Per Unit
1.) Shell	FB-1200070	*150.00
2.) Handrail	FB-1220002	1.00
3.) Handrail	FB-1210002	1.00
4.) Handrail	FB-1220001	2.00
5.) Handrail	FB-1210001	2.00
6.) Stanchion	FB-1200024	.25
7.) Whistle	FB-1200003	4.00
8.) Bell	FB-1200004	4.00
9.) Headlight/No. Board Lens	FA-1230018	4.00
10.) Boiler Front	FB-1200071	12.00
11.) Screw	IA-0000027	.15
12.) Smoke Unit	AB-1200001	50.00
13.) Piston	AB-1200002	4.00
14.) Rod	AB-1200003	2.00
15.) Pin	AB-1200004	.50
16.) Gear Box Cover Gasket	IB-0000002	2.00
17.) Gear Box Cover	EI-0000005	2.00
18.) Screw	IA-0000063	.15
19.) Gear	EG-0000002	5.00
20.) Screw	IA-0000235	.15
21.) Worm Gear	EH-0000001	5.00
22.) Drive Shaft	EH-0000002	2.00
23.) Screw	IA-0000058	.15
24.) Yellow Wire Nut	BI-4500003	.25
25.) Switch	BB-1040002	5.00
26.) Screw	IA-0000027	.15
27.) Wire Harness Plug PCB	BB-1040001	8.00
28.) Motor	BE-0000010	30.00
29.) Screw	IA-0000050	.15
30.) Motor Mount	BI-0000007	2.00
31.) Drive Block	DF-1200011	*100.00
32.) Screw	IA-0000050	.15
33.) Screw	IA-0000063	.15
34.) Screw	IA-0000158	.15
35.) Screw	IA-0000027	.15
36.) Insulator	BD-0000036	1.00
37.) Screw	IA-0000050	.15
38.) Screw	IA-0000089	.15
39.) Screw	IA-0000050	.15
40.) Steam Chest	EF-1230003	*15.00
41.) Motion Hanger	EA-1200001	2.00
42.) Pin	IG-0000005	.50
43.) Bracket	IH-1230001	1.00
44.) Spring	IE-0000001	.50
45.) Screw	IA-0000203	.15
46.) Truck (Leading)	DA-1230004	20.00
47.) Screw	IA-0000214	.15
48.) Spacer	ID-0000014	1.00
49.) Insulator	BD-0000001	2.00
50.) Pick-Up	BD-0000002	5.00
51.) Eccentric Rod (Left)	ED-1220013	1.00
52.) Eccentric Rod (Right)	ED-1210013	1.00
53.) Screw	IA-0000119	.15
54.) Eccentric Assembly (Left)	ED-1220004	5.00
55.) Eccentric Assembly (Right)	ED-1210004	5.00
56.) Sleeve	ID-1250001	1.00
57.) Sleeve	ID-1250002	1.00
58.) Side Rod	EC-1250008	2.00

Name	Part #	\$Price Per Unit
59.) Side Rod Bolts	IA-0000245	1.00
60.) Screw	IA-0000052	.15
61.) Flywheel	BE-0000021	4.00
62.) Washer	ID-0000012	.15
63.) E-Clip	IF-0000003	.15
64.) Spring	IE-0000008	.50
65.) Washer	ID-0000013	.15
66.) Drawbar	FB-1200072	3.00
67.) Screw	IA-0000021	.15
68.) Ground Strap	II-4500002	1.00
69.) Drive Rod (Left)	EC-1220006	4.00
70.) Drive Rod (Right)	EC-1210006	4.00
71.) Pin w/2 E-Clip Grooves	IG-0000006	.50
72.) Truck (Trailing)	DA-1240008	30.00
73.) Traction Tires	DE-1050038	.75
74.) Bulb	CA-0230001	.95
75.) Screw	IA-0000214	.15
76.) Screw	IA-0000214	.15

Tender Parts

Name	Part #	\$Price Per Unit
1.) Shell	GA-1200026	*85.00
2.) Board	AF-4500005	29.95
3.) DCRU	AC-0000001	39.95
4.) Speaker	BF-4500006	8.95
5.) Screw	IA-0000021	.15
6.) Bracket	IH-4500008	1.00
7.) Switch	BB-0000006	5.00
8.) Screw	IA-0000026	.15
9.) Screw	IA-0000187	.15
10.) Screw	IA-0000027	.15
11.) T-Bar	IG-0000001	.50
12.) Coupler	DD-4000003	3.00
13.) Coupler Armature	DD-4000004	1.00
14.) Spring	IE-0000009	.50
15.) Washer	ID-0000022	.15
16.) E-Clip	IF-0000002	.15
17.) Truck (Leading/Trailing)	DA-1250006	20.00
18.) Drawbar	GA-1200027	3.00
19.) Screw	IA-0000063	.15
20.) Tender Harness	BC-1200008	8.00
21.) Screw	IA-0000214	.15

* Requires Exchange



J Tender

Tender Parts

Name	Part #	\$Price Per Unit
1.) Shell	GA-1200026	*85.00
2.) Board	AF-4500005	29.95
3.) DCRU	AC-0000001	39.95
4.) Speaker	BF-4500006	8.95
5.) Screw	IA-0000021	.15
6.) Bracket	IH-4500008	1.00
7.) Switch	BB-0000006	5.00
8.) Screw	IA-0000026	.15
9.) Screw	IA-0000187	.15
10.) Screw	IA-0000027	.15
11.) T-Bar	IG-0000001	.50
12.) Coupler	DD-4000003	3.00
13.) Coupler Armature	DD-4000004	1.00
14.) Spring	IE-0000009	.50
15.) Washer	ID-0000022	.15
16.) E-Clip	IF-0000002	.15
17.) Truck (Leading/Trailing)	DA-1250006	20.00
18.) Drawbar	GA-1200027	3.00
19.) Screw	IA-0000063	.15
20.) Tender Harness	BC-1200008	8.00
21.) Screw	IA-0000214	.15

* **Requires Exchange**

