



TROLLEY CAR OPERATING INSTRUCTIONS



Your new RailKing Trolley Car is designed to bring excitement to someone new to model railroading or to add fun to an existing layout. The trolley's sturdy ABS plastic construction with all-metal wheels and gears are designed for years of operating fun.

RAILKING

Table Of Contents

Compatibility	3
Set Up	3
Lubricating the Trolley Car	4
Exploded Parts View Diagram	8
Transformer Compatibility Chart	10
Safety Precautions	11
Service and Warranty Information	12

Compatibility

The trolley will operate on any traditional O-27 or larger O Gauge track system, including RealTrax. It is also compatible with any standard AC transformer (See page 10 for a complete list of compatible transformers and wiring instructions.).

Set Up and Operation

- Lubricate the trolley car as shown on page 4.
- Place the trolley car on the track and apply power to run.

Once power has been applied, the trolley car will immediately begin moving. The trolley will reverse direction when the Automatic Reversing Bumper Mechanism (ARBM) in its bumper is depressed. To do this, you may depress the bumper with your hand or run the car into a track bumper or another car. Interrupting the transformer throttle voltage will only affect the trolley's speed; it will not cause the unit to change directions.

If the trolley does not move when you apply power, the reversing switch may be between positions. Gently press in one of the bumpers. If the car still does not move, press in the bumper on the other end of the trolley.

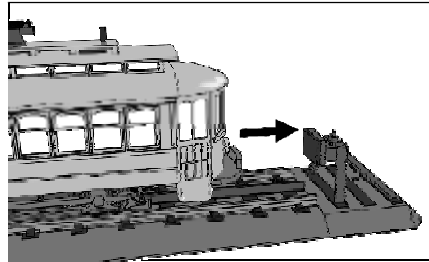


Fig 1: Trolley bumping into a bumper to reverse its direction

Exercise caution when running the trolley car into a bumper or another car to change its direction. Running the trolley car at excessive speed into a bumper or another car could damage the reversing bumpers and thus disable the reversing feature.

Lubricating the Trolley Car

Before you run your trolley car, you **must** lubricate it to prevent squeaking and premature wear. Use a light household or hobby oil to lubricate the gears, truck block bronze bushings, and pickup rollers. Apply a small drop of oil (a pinpoint oiler will help place the right amount of oil where you need it) to each of the points indicated below.

The trolley car's internal gearing in the power trucks has been greased at the factory and should not need additional grease until after 50 hours of operation or one year, whichever comes first. To insert grease into the gear box inside the locomotive chassis, do the following:

1. Remove the body from the frame by unscrewing the four body mounting screws as shown below.
2. Once the shell is removed, open the gear box by unscrewing the two screws on the plate located in front of the motor.
3. Use a grease tube dispenser to apply a small amount of grease.

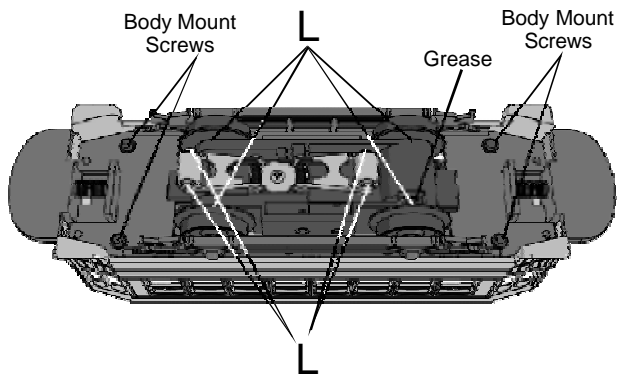


Figure 2: Lubrication points of Trolley.

Lamp Replacement

The trolley uses two LEDs for directional headlights and two incandescent bulbs for interior lights. To replace the headlights or interior lights remove the four screws that attach the body to the frame, shown in figure 2. Lift the body from the frame and replace the bulbs.

Note: Although the body shell can be rotated 180 degrees and still be fitted to the frame, the directional lights will only work properly in the original orientation. Before removing the body shell, mark an indication on which ends of the trolley frame and body shell match, so that the shell can be replaced properly.

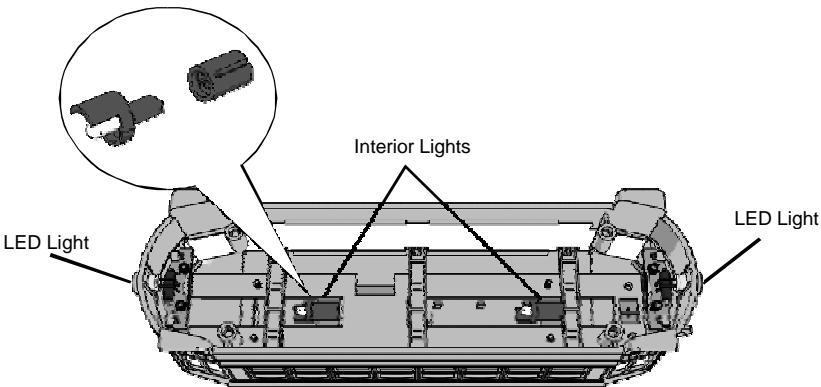


Figure 3: The location and the removal of the bulbs in the trolley.

Operating Overhead Trolley Pole

The Trolley is equipped with a set of third rail pickup rollers for supplying voltage to the motor and lights. The trolley pole as delivered is not an operating trolley pole. However, it is possible to reroute the wire from the pickup rollers to the trolley pole inside the body shell so you can obtain power prototypically from an overhead catenary wire. Please contact: M.T.H. Service (phone: 410-381-2580; fax:410-423-0009; e-mail: service@mth-railking.com; mail: 7020 Columbia Gateway Drive, Columbia, MD 21046-1532) for instructions on making this adjustment.

Exploded Parts View

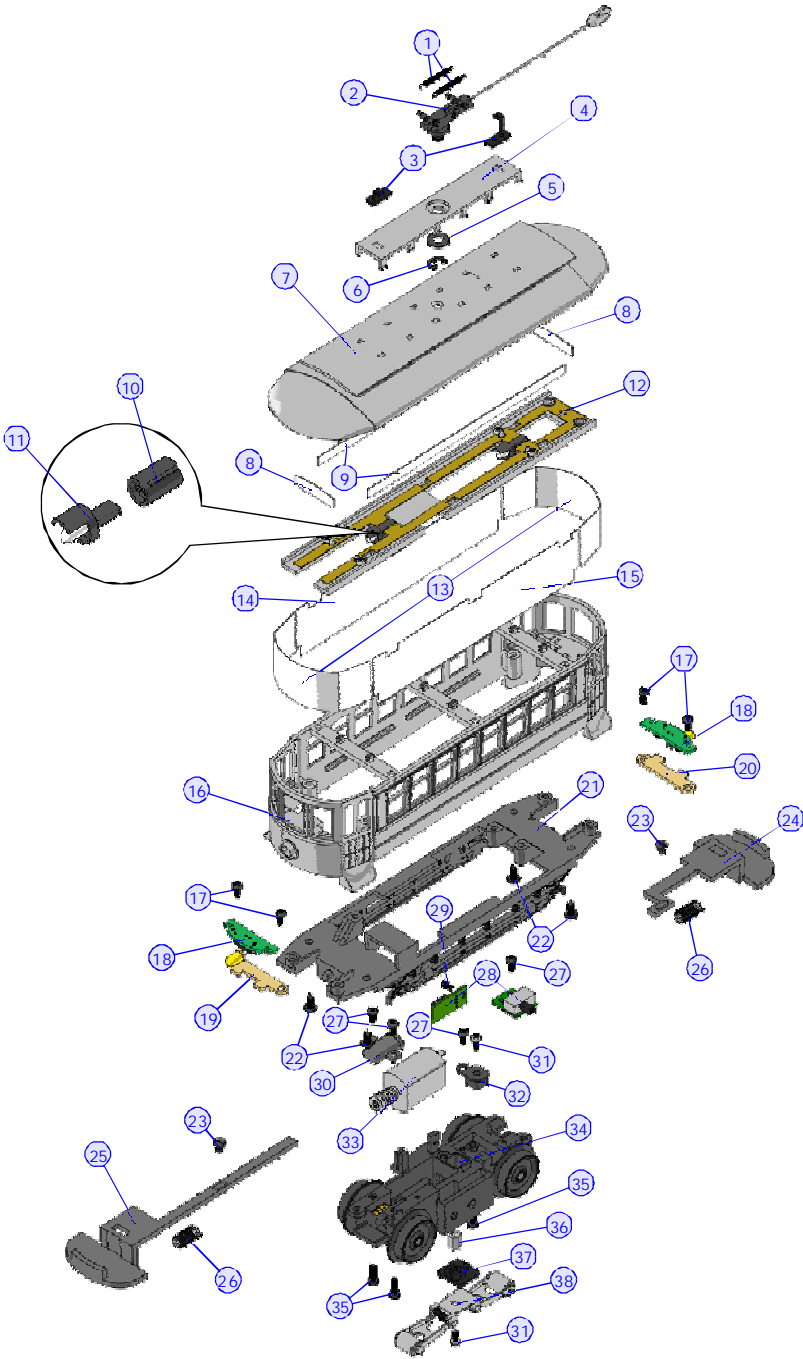
The chart and diagram on the next few pages should be referenced when requesting replacement parts for your RailKing® locomotive. Parts can be ordered directly from MTH Electric Trains, 7020 Columbia Gateway Drive, Columbia, MD 21046-1532.

Trolley

Parts

Name and Number	Part #	Name and Number	Part #
1.) Spring (2.0X17.0mm)(w/ a hook on each end)	IE-0000038	32.) Insulator (pick-up)(top)	BD-0000047
2.) Trolley pole (complete)	FF-3200001	33.) Motor (FK-130SH)(w/ 6.8X11.0mm worm gear)	BE-0000042
3.) Bracket (pole hook)(black)	IH-0000093	34.) Truck (powered)(2 axle)	DA-3200003
4.) Cover (silver) (New York City Transit)(# 6688)	FF-3200021	35.) Screw (6/32X12.0mm)(roundhead)	IA-0000103
4.) Cover (red) (Merry Christmas)(# 2000)	FF-3200022	36.) Nut (2.5X5.0X7.0mm)	IC-0000008
5.) Washer (4.5X10.0X0.5mm)	ID-0000009	37.) Insulator (pick-up)(bottom)	BD-0000001
6.) E-clip (3.5X9.0X0.5mm)	IF-0000009	38.) Pick-up	BD-0000049
7.) Roof (silver) (New York City Transit)(# 6688)	FF-3200023		
7.) Roof (red) (Merry Christmas)(# 2000)	FF-3200024		
8.) Lens (short)	FA-3200004		
9.) Lens (long)	FA-3200005		
10.) Socket	CH-0000018		
11.) Bulb (w/ base)(gray) (base has a overhang over the bulb)	CG-0000018		
12.) Bulb guide (172.0mm long)	CH-0000019		
13.) Lens (end windows)	FA-3200006		
14.) Lens (window)(right) (man-front window, woman-rear window)	FA-3200007		
15.) Lens (window)(left) (woman-front window, man-rear window)	FA-3200008		
16.) Shell (red) (New York City Transit)(# 6688)	FF-3200025		
16.) Shell (red, green & gold) (Merry Christmas)(# 2000)	FF-3200026		
17.) Screw (M3X8.0mm)(roundhead)(self-drilling)	IA-0000072		
18.) Light board (w/ L.E.D.)	CE-0000003		
19.) Contact board (front)	BH-0000024		
20.) Contact board (rear)	BH-0000025		
21.) Chassis (black)	GB-3200001		
22.) Screw (M3X10.0mm)(self-drilling)(washer head)	IA-0000013		
23.) Screw (M2.4X3.0mm)(slotted head) (large head)	IA-0000123		
24.) Reverse mechanism arm (rear)(short)	FF-3200008		
25.) Reverse mechanism arm (front)(long)	FF-3200009		
26.) Spring (5.0X16.0mm)(w/ 0.2mm thick wire)	IE-0000039		
27.) Screw (4/40X6.0mm)(roundhead)	IA-0000003		
28.) Boards (switch and bridge rectifier)	BB-0000017		
29.) Screw (M2X4.0mm)(roundhead)	IA-0000058		
30.) Gear box cover	BI-0000032		
31.) Screw (M3X6.0mm)(roundhead)	IA-0000015		

*Requires Exchange



TRANSFORMER COMPATIBILITY AND WIRING CHART

The chart below lists many of the compatible transformers and how the terminals on these compatible transformers should be attached to your layout.

Transformer Model	Center Rail	Outside Rail	Min/Max. Voltage	Power Rating	Transformer Type
Lionel 1032	U	A	5-16v	90-Watt	Standard
Lionel 1032M	U	A	5-16v	90-Watt	Standard
Lionel 1033	U	A	5-16v	90-Watt	Standard
Lionel 1043	U	A	5-16v	90-Watt	Standard
Lionel 1043M	U	A	5-16v	90-Watt	Standard
Lionel 1044	U	A	5-16v	90-Watt	Standard
Lionel 1053	U	A	8-17v	60-Watt	Standard
Lionel 1063	U	A	8-17v	60-Watt	Standard
All-Trol	Left Terminal	Right Terminal	0-24v	300-Watt	Electronic
Cab-1/Powermaster	A	U	0-18v	135V.A.	Electronic
Dallee Hostler	Left Terminal	Right Terminal			Electronic
Lionel LW	A	U	8-18v	75-Watt	Standard
Lionel KW	A or B	U	6-20v	190-Watt	Standard
MRC Tech II	Left Terminal	2 nd From Left	0-15v	40V.A.	Electronic
Lionel MW	OutsideTrack Terminal	Inside Track Terminal	5-16v	50V.A.	Electronic
R.O.W.	Red Terminal	Black Terminal	0-24v	384-Watt	Standard
Lionel RS-1	Red Terminal	Black Terminal	0-18v	50V.A.	Electronic
Lionel RW	U	A	9-19v	110-Watt	Standard
Lionel SW	U	A	Unknown	130-Watt	Standard
Lionel TW	U	A	8-18v	175-Watt	Standard
Lionel ZW	A,B,C or D	U	8-20v	275-Watt	Standard
Lionel Trainmaster	Red Terminal	Black Terminal	0-18v	135-Watt	Electronic
MTH Z-500	Red Terminal	Black Terminal	0-18v	50-Watt	Electronic
MTH Z-750	Red Terminal	Black Terminal	0-21v	75-Watt	Electronic
MTH Z-4000	Red Terminal	Black Terminal	0-22v	390-Watt	Electronic

WARNING: When using electrical products, basic safety precautions should be followed including the following:

CAUTION: Electrically Operated Product:

Not recommended for children under 10 years of age. M.T.H. recommends adult supervision with children ages 10 - 16. As with all electric products, precautions should be observed during handling and use to reduce the risk of electric shock.

WARNING: When using electrical products, basic safety precautions should be followed including the following:

- Read this manual thoroughly before using this device.
- M.T.H. recommends that all users and persons supervising use examine the hobby transformer periodically for conditions that may result in the risk of fire, electric shock, or injury to persons, such as damage to the primary cord, plug blades, housing, output jacks or other parts. In the event such conditions exist, the transformer should not be used until properly repaired.
- As with all electrical appliances, this product should not be left in operation when unattended.

Service & Warranty Information

How to Get Service Under the Terms of the Limited One-Year Warranty

When you suspect an item is defective, please check the operator's manual for standard operation and trouble-shooting techniques that may correct the problem. Additional information may be found on the M.T.H. Website. Should you still require service, follow the instructions below to obtain warranty service.

First, e-mail, write, call or fax a M.T.H. Authorized Service Center (ASC) in your area to obtain Repair Authorization. You can find the list of ASCs on the M.T.H. Website, www.mth-railking.com. Authorized Service Centers are required to make warranty repairs on items sold *only* from that store; all other repairs may-- or may not be done at the store's own discretion. If you did not purchase the item directly from the ASC, you will need to select a National Authorized Service Center (NASC). These centers are compensated by M.T.H. to perform warranty service for any customer whose repair qualifies for warranty service. A list of NASC retailers can be located on the M.T.H. Website or by calling 1-888-640-3700. Should the warranty no longer apply, you may choose either an ASC or NASC retailer to service your M.T.H. Product. A reasonable service fee will be charged.

CAUTION: Make sure the product is packed in its original factory packaging including its foam and plastic wrapping material to prevent damage to the merchandise. There is no need to return the entire set if only one of the components is in need of repair *unless otherwise instructed by the Service Center. The shipment must be prepaid and we recommend that it be insured. A cover letter including your name, address, daytime phone number, e-mail address (if available), Return Authorization number (if required by the service center, a copy of your sales receipt and a full description of the problem must be included to facilitate the repairs. Please include the description regardless of whether you discussed the problem with a service technician when contacting the Service Center for your Return Authorization.*

Please make sure you have followed the instructions carefully before returning any merchandise for service. Authorized M.T.H. Service Centers are independently owned and operated and are not agents or representatives of M.T.H. Electric Trains. M.T.H. assumes no responsibility, financial or otherwise, for material left in their possession, or work done, by privately owned M.T.H. Authorized Service Centers.

If you need assistance at any time email MTH Service at service@mth-railking.com, or call 410 381-2580.

Limited One-Year Warranty

All M.T.H. products purchased from an Authorized M.T.H. Train Merchant are covered by this warranty.

See our website at www.mth-railking.com or call 1-888-640-3700 to identify an Authorized M.T.H. Train Merchant near you.

M.T.H. products are warranted for one year from the date of purchase against defects in material or workmanship, excluding wear items such as light bulbs, pick-up rollers, batteries, smoke unit wicks, and traction tires. We will repair or replace (at our option) the defective part without charge for the parts or labor, if the item is returned to an M.T.H. Authorized Service Center (ASC) or M.T.H. National Authorized Service Center (NASC) within one year of the original date of purchase. This warranty does not cover damages caused by improper care, handling, or use. Transportation costs incurred by the customer are not covered under this warranty.

Items sent for repair must be accompanied by a return authorization number, a description of the problem, and a **copy of the original sales receipt from an Authorized M.T.H. Train Merchant**, which gives the date of purchase. If you are sending this product to an Authorized Service Center, contact that Center for their return authorization.

This warranty gives you specific legal rights, and you may have other rights that vary from state to state. Specific questions regarding the warranty may be forwarded to M.T.H. directly.

Service Department
M.T.H. Electric Trains
7020 Columbia Gateway Drive
Columbia MD 21046-1532



PARTICIPATING N.A.S.C. RETAILER LIST

CANADA

TOY TRAIN WORKSHOP
CUMBERLAND
613-833-8331

THE TRAIN ROOM
FERGUS
519-787-3280

CALIFORNIA

TIN PLATE JUNCTION
OAKLAND
510-444-4780

COLORADO

MIZELL TRAINS INC
WESTMINSTER
303-429-4811

CONNECTICUT

NEW ENGLAND HOBBY
SUPPLY
MANCHESTER
860-646-0610

FLORIDA

ROUNDHOUSE SOUTH
PORT ORANGE
386-304-7002

MARYLAND

PLAZAHOBBY
CUMBERLAND
301-729-6424

ENGINE HOUSE HOBBIES

GAITHERSBURG
301-590-0816

CATOCTIN MOUNTAIN TRAINS
& HOBBIES
THURMONT
301-694-8331

MICHIGAN

MICHIGAN MODEL TRAIN
CENTER
PINCKNEY
734-426-1651

BRASSEUR ELECTRIC TRAINS
INC.
SAGINAW
989-793-4753

NEW HAMPSHIRE

TREASURED TOYS
SALEM
603-898-7224

NEW YORK

AURORA RAILS & HOBBIES
EAST AURORA
716-652-5718

OHIO

DAVIS ELECTRONICS
MILFORD
513-831-6425

RICK'S TOY TRAINS
TOLEDO
419-478-0171

PENNSYLVANIA

BUSSINGER TRAINS
AMBLER
215-628-2366

FAIRCHANCE PHARMACY
FAIRCHANCE
724-564-7817

TOBY TYLER'S HOBBY
CENTER
PITTSBURGH
412-653-5030

VIRGINIA

LOCUST GROVE TRAINS
LOCUST GROVE
540-854-8955

DAVIS HOBBY SUPPLIES
PORTSMOUTH
757-397-1983

T S G HOBBIES
WARRENTON
540-347-9212

WISCONSIN

SOMMERFELD'S TRAINS
BUTLER
262-783-7797

GRAMPA'S TRAIN SHOP
RICE LAKE
715-234-2996

RAILKING



AUTHORIZED SERVICE CENTER

7020 Columbia Gateway Dr. - Columbia, MD 21046

Information: 410-381-2580 Fax: 410-381-6122

www.mth-railking.com

PARTICIPATING A.S.C. RETAILER LIST

CANADA

TOY TRAIN WORKSHOP
CUMBERLAND
613-833-8331

THE TRAIN ROOM
ERGUS
519-787-3280

CREDIT VALLEY RAILWAY
COMPANY
STREETSVILLE
905-826-1306

B H TRAINS
TERREBONNE
450-492-0317

ALABAMA
SOUTHERLAND STATION
HUNTSVILLE
256-533-4720

LIL' BOBBY'S HOBBIES
MONTGOMERY
334-277-1715

ARIZONA
ARIZONA TRAIN DEPOT
MESA
480-833-9486

CALIFORNIA
CENTRAL COAST TRAINS
ATASCADERO
805-466-1391

TRAIN SHACK
BURBANK
818-842-3330

ROUNDHOUSE
NORTH HOLLYWOOD
818-769-0403

DOLLHOUSES TRAINS & MORE
NOVATO
415-883-0388

TIN PLATE JUNCTION
OAKLAND
510-444-4780

RON'S WORLD
SAN CLEMENTE
949-361-5596

TRUCKS & TRAINS HOBBIES
SANTA ROSA
707-537-6586

COLORADO
CUSTOM RAILWAY SUPPLY
COLORADO SPRINGS
719-634-4616

CABOOSE HOBBIES
DENVER
303-777-6766

MIZELL TRAINS
WESTMINSTER
303-429-4811

CONNECTICUT
NEW ENGLAND HOBBY
SUPPLY
MANCHESTER
860-646-0610

FLORIDA
HOLLYWOOD STATION
HOLLYWOOD
954-921-2700

DEPOT HOBBY SHOP
LAKE WORTH
561-585-1982

READY TO ROLL
MIAMI
305-688-8868

FRANK'S TRAINS & HOBBIES
OLDSMAR
813-855-1041

COLONIAL PHOTO & HOBBY
ORLANDO
407-841-1485

WARRICK CUSTOM HOBBIES
PLANTATION
954-370-0708

ROUNDHOUSE SOUTH
PORT ORANGE
386-304-7002

ILLINOIS
BIKE & CHOO CHOO
CONNECTION
SCHAUMBURG
847-882-7728

INDIANA
Y. O. R. K. TRAINS
MUNSTER
219-838-9999

SAMUELSON'S TRAIN SHOP
VALPARAISO
219-462-2708

IOWA
CABOOSE STOP HOBBIES
CEDAR FALLS
800-642-7012

KENTUCKY
L&N TRAINS & THINGS
LOUISVILLE
502-897-9005

LOUISIANA
AMERICA'S TRAIN YARD
BATON ROUGE
225-926-5592

MAINE

WHEELS, WINGS & THINGS
LUDLOW
207-532-6277

MARYLAND

PLAZA HOBBY
CUMBERLAND
301-729-6424

HOBBYTOWN U S A
FREDERICK
301-694-7395

ENGINE HOUSE HOBBIES
GAITHERSBURG
301-590-0816

J & B TRAINS
HAGERSTOWN
240-420-4930

THE TRAIN ROOM
HAGERSTOWN
301-745-6681

PURKEY'S TOY TRAINS
SYKESVILLE
410-549-6061

CATOCTIN MOUNTAIN TRAINS
& HOBBIES
THURMONT
301-694-8331

MASSACHUSETTS

NORTHEAST TRAINS
PEABODY
978-532-1615

EAST BAY HOBBIES
SEEKONK
508-336-5573

MICHIGAN

MICHIGAN MODEL TRAIN
CENTER
PINCKNEY
734-426-1651

BRASSEUR ELECTRIC TRAINS
INC.
SAGINAW
989-793-4753

MISSOURI

SWITCH STAND
SAINT LOUIS
314-781-4458

MARK TWAIN HOBBY CENTER
ST. LOUIS
636-946-2816

NEVADA

RENO RAILS
RENO
775-337-6669

NEW HAMPSHIRE

RAILROAD SPECIALTIES
NASHUA
603-801-0801

TREASURED TOYS

SALEM
603-898-7224

NEW JERSEY

COUNTRY AND STUFF
ANDOVER
973-786-7086

COLUMBUS TRAIN STATION

COLUMBUS
609-518-1800

ATLANTIC RAILS

HAMMONTON
609-567-8490

GRAND CENTRAL STATION

KEARNY
201-955-6200

J & B TRAINS, INC.

MAPLE SHADE
856-414-0092

HOBBY SHOP

MATAWAN
732-583-0505

HOBBYMASTERS, INC

RED BANK
732-842-6020

RIDGEFIELD HOBBY

RIDGEFIELD
201-943-2636

TOM'S MODEL TRAINS

SCOTCH PLAINS
908-322-6122

TRAINS & THINGS

TRENTON
609-883-8790

COAST TRAINS AND

COLLECTIBLES
WALL
732-556-9005

HOLLY BEACH TRAIN DEPOT

WILDWOOD
609-522-2379

NEW YORK

AURORA RAILS & HOBBIES
EAST AURORA
716-652-5718

NASSAU HOBBY CENTER, INC.

FREEPORT
516-378-9594

HOBBY WORLD

MONTICELLO
845-794-8770

CITY DEPOT, INC.

NEW HAMPTON
845-374-3010

SCAG'S ELECTRIC TRAINS

STATEN ISLAND
718-727-7373

AMERICANA STORE

TIVOLI
845-757-4246

KROSS HARDWARE

WEST BABYLON
631-669-3069

NORTH CAROLINA

THE ROUNDHOUSE &
BACKSHOP
CARY
919-465-0810

TRAINS LTD.

CHARLOTTE
704-566-9070

DRY BRIDGE STATION

MOUNT AIRY
336-786-9811

THE FREIGHT YARD

SMITHFIELD
919-934-6229

TRAIN LOFT

WINSTON-SALEM
336-760-9817

OHIO

GLEN'S TRAIN SHOP
AKRON
330-253-6527

E & S TRAINS

AKRON
330-745-0785

T & K HOBBY SHOP

BRIDGEPORT
740-633-6607

PARMAHOBBY

CLEVELAND
216-741-6440

SANDY'S HOBBY'S &

COLLECTIBLES
ELYRIA
440-365-9999

HUDSON TOY, TRAIN &

HOBBY
HUDSON
330-653-2997

CLEARVIEW TRAIN & HOBBY

LORAIN
440-277-4488

DIXIE UNION STATION

MASON
513-459-0460

DAVIS ELECTRONICS

MILFORD
513-831-6425

TRAINS-N- THINGS
NORTH CANTON
330-499-1666

GRAND PACIFIC JUNCTION
OLMSTEAD FALLS
440-235-4777

RICK'S TOY TRAINS
TOLEDO
419-478-0171

ERIE RAILWAY DEPOT
TROY
937-440-9972

PENNSYLVANIA
AMERICAN HOBBY CENTER
ALIQUIPPA
724-378-3930

ALLENTOWN TOY TRAIN
SERVICE
ALLENTOWN
610-821-0740

ON THE RIGHT TRACK
ALTOONA
814-942-4345

BUSSINGER TRAINS
AMBLER
215-628-2366

JIM'S HOBBY SERVICE
BERWICK
570-759-2695

YE OLDE TRAIN & CHRISTMAS
SHOPPE
BOYERTOWN
610-369-0755

NICHOLAS SMITH
BROOMALL
610-353-8585

CHARLEROI SWEEPER
CENTER
CHARLEROI
724-483-3397

CRANBERRY HO BBY DEPOT
CRANBERRY TWP
724-776-3640

FAIRCHANCE PHARMACY
FAIRCHANCE
724-564-7817

TOY TRAIN STATION
FEASTERVILLE TREV
215-322-5182

THE CABOOSE
LEHIGHTON
570-386-5352

HOBBY CITY
MC MURRAY
724-942-2557

THE STATION
NEW CUMBERLAND
717-774-7096

FRYER'S STORE
ORWIGSBURG
570-366-2258

CHESTNUT TOYBOX
PHILADELPHIA
215-545-0455

TOBY TYLER'S HOBBY
CENTER
PITTSBURGH
412-653-5030

WILCOX GREENHOUSE &
NURSERY
TITUSVILLE
814-827-3823

EASTERN DEPOT
TROY
570-297-1975

J&J RAILROAD CROSSING
TURTLE CREEK
412-824-6009

TRAINS R FUN
LEESBURG
703-779-8600

SOUTH CAROLINA
EMERALD TRAIN & HOBBY
GREENWOOD
864-223-2247

TENNESSEE
MODEL RAILROAD & HOBBY
SHOP
MEMPHIS
901-384-6500

TEXAS
HOBBY TIME
AMARILLO
806.352.9660

RIVERVIEW TRAINS
ANGLETON
979-848-3895

GREAT TRAINS & HOBBIES
LONGVIEW
903-757-2720

VIRGINIA
LEESBURG HOBBIES
LEESBURG
703-779-8600

LOCUST GROVE TRAINS
LOCUST GROVE
540-854-8955

TRAIN DEPOT
MANASSAS
703-335-2216

CHESTERFIELD HOBBIES
MIDLOTHIAN
804-379-9091

DAVIS HOBBY SUPPLIES
PORTSMOUTH
757-397-1983

TOY TRAIN CENTER
RICHMOND
804-288-4475

NUTBUSH EXPRESS
VICTORIA
434-696-1902

T S G HOBBIES
WARRENTON
540-347-9212

NORGE STATION
WILLIAMSBURG
757-564-7623

WASHINGTON
EASTSIDE TRAINS
KIRKLAND
425-828-4098

WEST VIRGINIA
PATRICK'S TRAINS
WHEELING
304-232-0714

WISCONSIN
WOODCRAFTERS SHOP
BURLINGTON
262-763-5239

SOMMERFELD'S TRAINS
BUTLER
262-783-7797

HOBBY OUTLET
FOND DU LAC
920-924-3770

G B T V & TRAINS
GREEN BAY
920-496-9697

GRAMPA'S TRAIN SHOP
RICELAKE
715-234-2996

THE TRAIN STORE
WAUKESHA
262-650-6675